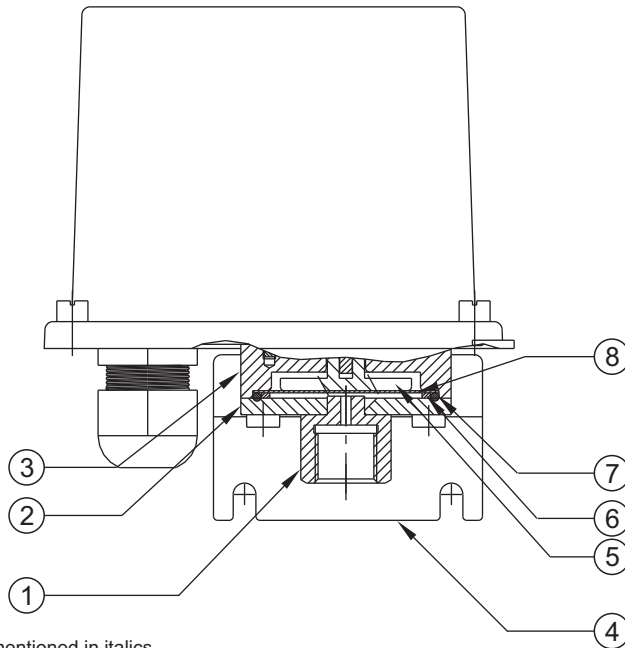


# MZ\_\_A / MX\_\_A

## OEM HIGH RANGE PRESSURE SWITCHES



### PRESSURE CAPSULE DETAILS

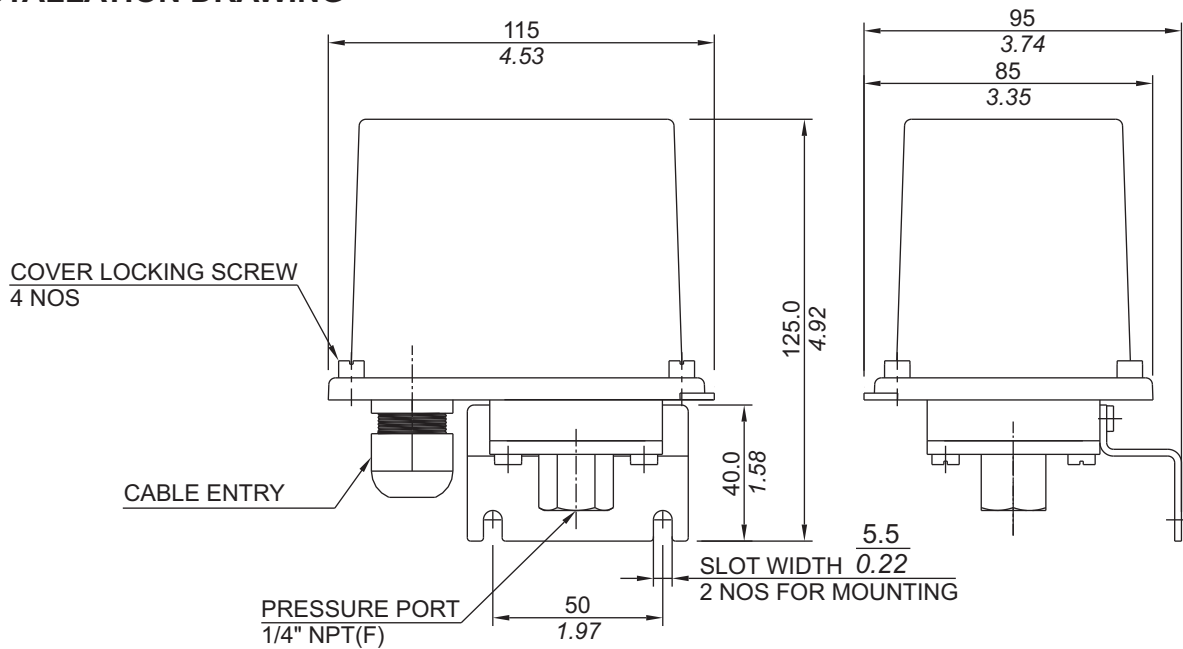


#### No. Description

1. *Pressure Port (SS316)*
2. *Housing Plate (SS316)*
3. Disc
4. Mounting Bracket
5. Plunger
6. *Ring (SS316)*
7. *O-Ring (Teflon®)*
8. *Diaphragm (Teflon®)*

Note : *wetted parts* are mentioned in italics.

### INSTALLATION DRAWING



**RANGE SELECTION TABLE**

Model Code	Range † psi	*Approximate Maximum Differential psi	*Adjustable Differential psi	Maximum Working Pressure psi
MZ-1A	1.5-15.0	2.0	-	200
MZ-4A	3.0-50.0	3.0	-	200
MZ-7A	7.0-100.0	6.0	-	200
MZ-10A	7.0-150.0	12.0	-	350
MZ-15A	15.0-200.0	20.0	-	350
MZ-30A	70.0-350.0	20.0	-	500
MX-1A	1.5-15.0	-	2 - 6	200
MX-4A	3.0-50.0	-	3 - 7	200
MX-7A	7.0-100.0	-	8 - 29	200
MX-10A	7.0-150.0	-	12 - 35	350
MX-15A	15.0-200.0	-	14 - 40	350
MX-30A	70.0-350.0	-	22 - 45	500

\*Minimum differential increases with setpoint (Graphs available on request)

†Rising pressure for MZ series

**SPECIFICATIONS :**

- Range** : As per model code
- Electrical rating** : 15 Amp, 250 VAC, SPDT snapaction microswitch
- Enclosure<sup>#</sup>** : IP66 standard, transparent tough polycarbonate cover
- Wetted parts** : SS 316 & Teflon
- Pressure port** : 1/4" NPTF standard
- Cable gland** : M20 x 1.5 standard (polyamide)
- Maximum temperature of working medium** : 80° C maximum. Please use impulse tubing for higher temperatures

# - IP66 is approximately equivalent to NEMA 4X

**HOW TO ORDER MZ\_\_A SERIES OEM PRESSURE SWITCHES**

Please select model code from Range Selection table